

# Model: D4DA-200 X

## Data

---

Type: Semi-hermetic piston compressors

Producer: Copeland

Series: DISCUS

## Model: D4DA-200 X

### Technical data

Cylinder count:	4
Displacement [m <sup>3</sup> /h]:	56
Weight [kg]:	212
Oil charge [dm <sup>3</sup> ]:	3,6
Max. operating current [A]:	32,5
Locked rotor current [A]:	160
Power supply [V/~/Hz]:	380-420V/3/50Hz

### Connections

	<u>milimeters</u>	<u>inches</u>
Suction line:		1 5/8"
Discharge line:		1 1/8"

# Model: D4DA-200 X

## Capacity

R404A/R507

### Cooling capacity [kW]

$t_c \setminus t_e$	-35	-30	-25	-20	-15	-10	-5	0	5
20	14.15	18.32	23.33	29.27	36.24	44.33	53.65	64.29	76.35
25	12.90	16.89	21.64	27.26	33.85	41.49	50.30	60.36	71.78
30	11.64	15.43	19.93	25.23	31.42	38.61	46.89	56.37	67.13
35	10.38	13.97	18.20	23.17	28.96	35.69	43.44	52.32	62.42
40	-	12.51	16.46	21.08	26.47	32.72	39.94	48.22	57.65
45	-	11.03	14.71	18.98	23.95	29.73	36.40	44.06	52.82
50	-	9.56	12.94	16.86	21.41	26.70	32.81	39.86	47.93
55	-	8.10	11.18	14.73	18.85	23.64	29.19	35.61	42.99

### Power input [kW]

$t_c \setminus t_e$	-35	-30	-25	-20	-15	-10	-5	0	5
20	6.07	6.74	7.41	8.03	8.51	8.80	8.81	8.49	7.76
25	6.21	6.98	7.78	8.55	9.22	9.71	9.97	9.91	9.47
30	6.30	7.14	8.06	8.96	9.80	10.49	10.97	11.16	11.01
35	6.34	7.25	8.26	9.30	10.29	11.16	11.85	12.28	12.39
40	-	7.33	8.43	9.57	10.69	11.73	12.62	13.27	13.63
45	-	7.40	8.56	9.80	11.05	12.24	13.30	14.17	14.77
50	-	7.48	8.69	10.01	11.37	12.70	13.93	14.99	15.81
55	-	7.59	8.84	10.23	11.68	13.13	14.51	15.75	16.78

# Model: D4DA-200 X

## Capacity

---

### Current [A]

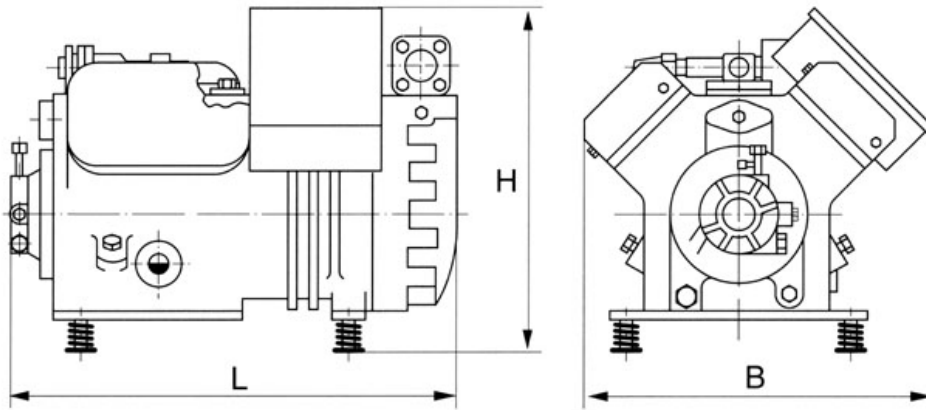
$t_c \setminus t_e$	-35	-30	-25	-20	-15	-10	-5	0	5
20	15.05	15.70	16.34	16.95	17.48	17.91	18.20	18.33	18.25
25	15.24	16.05	16.85	17.60	18.28	18.85	19.28	19.54	19.58
30	15.36	16.36	17.33	18.27	19.11	19.85	20.44	20.85	21.04
35	15.38	16.58	17.77	18.90	19.94	20.87	21.64	22.23	22.60
40	-	16.71	18.12	19.48	20.74	21.88	22.87	23.66	24.23
45	-	16.70	18.37	19.97	21.49	22.87	24.09	25.11	25.91
50	-	16.53	18.48	20.36	22.14	23.79	25.27	26.55	27.59
55	-	16.17	18.43	20.61	22.69	24.62	26.39	27.95	29.27

### Mass flow [kg/s]

$t_c \setminus t_e$	-35	-30	-25	-20	-15	-10	-5	0	5
20	305.43	405.03	519.79	654.28	813.05	1 000.68	1 221.74	1 480.80	1 782.41
25	294.41	392.40	505.65	638.74	796.23	982.68	1 202.67	1 460.76	1 761.52
30	281.30	377.74	489.55	621.31	777.57	962.90	1 181.88	1 439.07	1 739.04
35	266.25	361.20	471.63	602.11	757.21	941.49	1 159.52	1 415.86	1 715.10
40	-	342.92	452.03	581.30	735.29	918.57	1 135.71	1 391.28	1 689.84
45	-	323.03	430.88	559.00	711.95	894.30	1 110.61	1 365.46	1 663.41
50	-	301.68	408.33	535.36	687.33	868.80	1 084.35	1 338.54	1 635.95
55	-	279.00	384.52	510.52	661.57	842.23	1 057.07	1 310.67	1 607.58

# Model: D4DA-200 X

## Dimensions



L	650 mm
B	535 mm
H	495 mm

# Model: D4DA-200 X

Image

---

